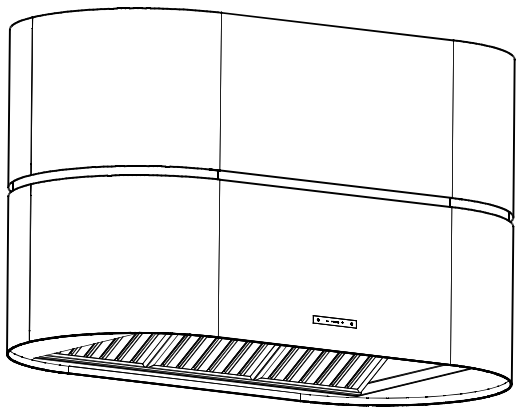
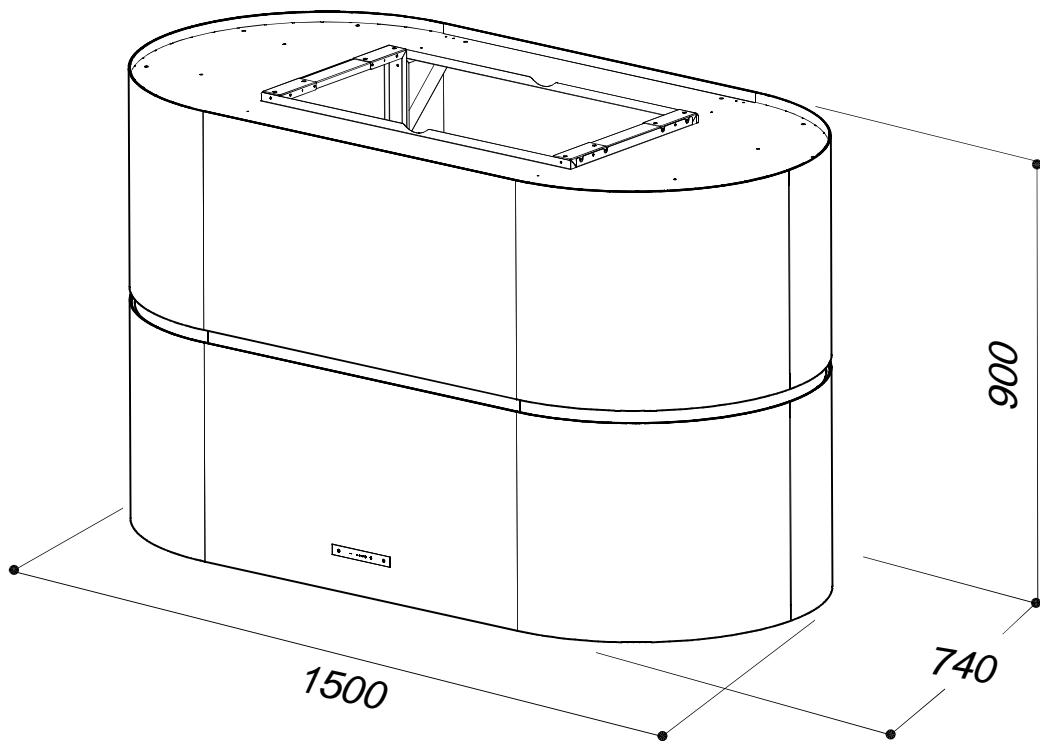


S/L 38



DUCTING VERSION ONLY